

PADSTONES

Padstones are an integral part of today's building practices. Their purpose is to form a sound base or pad for a lintel or steel beam to distribute the load onto the surrounding block or brick structure. This structure would not commonly cope with the high loads imposed, however, the introduction of the padstone allows this loading to take place. To enable this to be effective, PD Edenhall Ltd. can make and supply padstones to meet all loading requirements.

**STRENGTH** Compressive Strength: C40/50

**SIZE** ± 6mm all dimensions

**PRESENTATION** Shrink-wrapped on pallets

**PACK WEIGHT** 1.0–1.2 tonnes

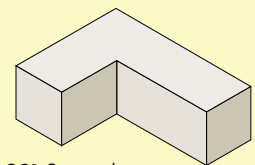
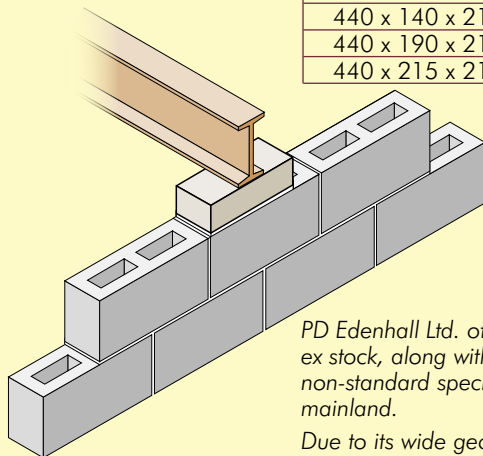
**PRODUCT HANDLING** Care should be taken to ensure compliance with manual handling regulations at all times, with the inclusion of any lifting facility requirements by site during specification stage of any enquiry.

Padstones may be cut using a high speed disc cutter or drilled using a suitable masonry drill. This should be undertaken by a properly trained operative, taking due regard of current Health and Safety regulations. For further information please refer to our Health & Safety Data Sheet HSDS1.1 – Product Hazards.

**SPECIALS** 'Special Padstones' generally require bespoke mouldage for particular sizes (length and sections) and angles. A 'special' also includes where there is a requirement for:

- Dowel holes
- Halfen type channel
- Lifting facility
- Inclusion of reinforcement
- Fairfaced or special finishes

Size	kgs	Product Code	Pallet Quantity
330 x 140 x 100	11.1	PAD330140100	100
440 x 140 x 100	14.8	PAD440140100	70
330 x 100 x 215	17.0	PAD330100215	60
330 x 140 x 215	23.8	PAD330140215	50
440 x 100 x 215	22.7	PAD440100215	48
440 x 140 x 215	31.8	PAD440140215	36
440 x 190 x 215	43.1	PAD440190215	24
440 x 215 x 215	48.8	PAD440215215	24



90° Special  
Return Padstone

PD Edenhall Ltd. offer a comprehensive range of standard sizes, available ex stock, along with the ability to manufacture and supply a full range of non-standard special shapes and sizes at short notice to anywhere on the UK mainland.

Due to its wide geographical coverage and diverse range of building materials, PD Edenhall Ltd. has the facility to offer an efficient distribution service for padstones, in conjunction with other products.



**PD EDENHALL LTD**

**HEAD OFFICE**

Danygraig Works  
Danygraig Road

Risca, Newport NP11 6DP

**Tel: 01633 612671**

**Fax: 01633 601280**

**www.pd-edenhall.co.uk**



**EDENHALL CONCRETE LTD TECHNICAL SALES OFFICE**

Evergreen, Hale, Fordingbridge, Hampshire SP6 2NN

**Tel: 01725 510174 Fax: 01725 512824**

**REGIONAL SALES OFFICES**

**SOUTHERN** Danygraig Works, Danygraig Road, Risca, Newport NP11 6DP

**Tel: 01633 600806 Fax: 01633 601280**

**CENTRAL** Buxton Works, Peak Forest Road, Smalldale, Nr Buxton SK17 8EA

**Tel: 01298 25396 Fax: 01298 71728**

**NORTHERN** Blencowe Works, Blencowe, Nr Newbiggin, Stainton, Penrith CA11 0DE

**Tel: 01768 483374 Fax: 01768 483127**