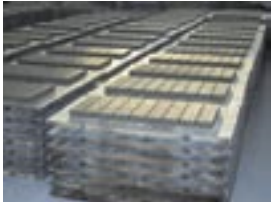


**SLIP, COURSING AND CLOSURE UNITS**

*Slip, coursing and closure units are essential items, used commonly in conjunction with T-Beam flooring. Edenhall Concrete Ltd. manufacture and stock a full range of standard blocks for this purpose.*



**SLIP UNITS**

Used for a side bearing for the infill block as shown below or they can also be used as an infill between the end bearings of the beams, thus avoiding unnecessary time spent cutting blocks or bricks.

**SIZE**

380mm x 100mm x 45mm

**PACK SIZE**

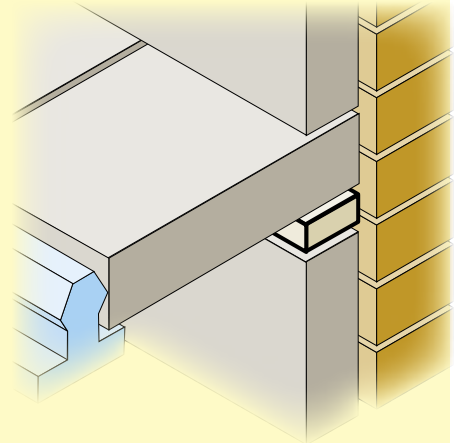
200 No. shrink-wrapped on pallets

**PACK WEIGHT**

800kg

**OTHER SIZES**

A range of alternative slip sizes are available, the most popular being those of brick bed section (215mm x 100mm) with thickness of 20, 30 or 40mm most commonly used in a variety of applications to solve coursing problems in masonry.



**COURSING UNITS**

Used for coursing adjustments on the outer leaf to bring levels back, where beams are used.

**SIZE**

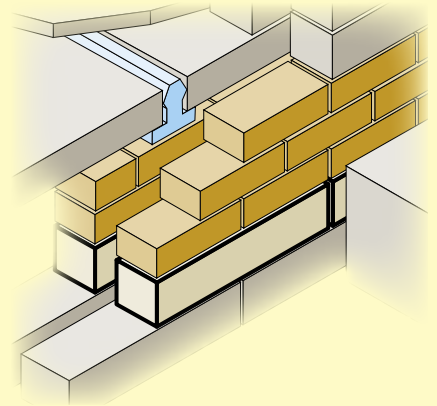
440mm x 100mm x 90mm

**PACK SIZE**

162 No. shrink-wrapped on pallets

**PACK WEIGHT**

1450kg



**CLOSURE UNITS**

Used to close off the joist ends, thus speeding up the site erection process. Alternatively slip blocks can be used to infill the beam ends, when combined with the infill block.

**SIZE**

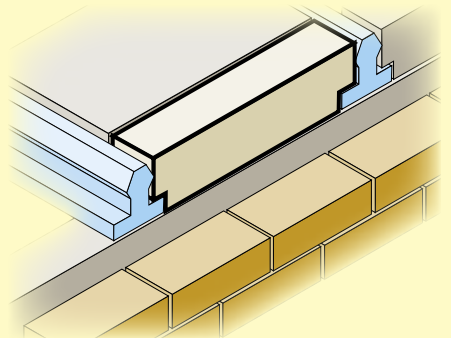
440mm x 100mm x 165mm

**PACK SIZE**

80 No. shrink-wrapped on pallets

**PACK WEIGHT**

1250kg



**PD EDENHALL LTD**

**HEAD OFFICE**

Danygraig Works  
Danygraig Road

Risca, Newport NP11 6DP

**Tel: 01633 612671**

**Fax: 01633 601280**

**www.pd-edenhall.co.uk**



**EDENHALL CONCRETE LTD TECHNICAL SALES OFFICE**  
Evergreen, Hale, Fordingbridge, Hampshire SP6 2NN  
**Tel: 01725 510174 Fax: 01725 512824**

**REGIONAL SALES OFFICES**

**SOUTHERN**

Danygraig Works, Danygraig Road, Risca, Newport NP11 6DP

**Tel: 01633 600806 Fax: 01633 601280**

**CENTRAL**

Buxton Works, Peak Forest Road, Smalldale, Nr Buxton SK17 8EA

**Tel: 01298 25396 Fax: 01298 71728**

**NORTHERN**

Blencowe Works, Blencowe, Nr Newbiggin, Stainton, Penrith CA11 0DE

**Tel: 01768 483374 Fax: 01768 483127**