

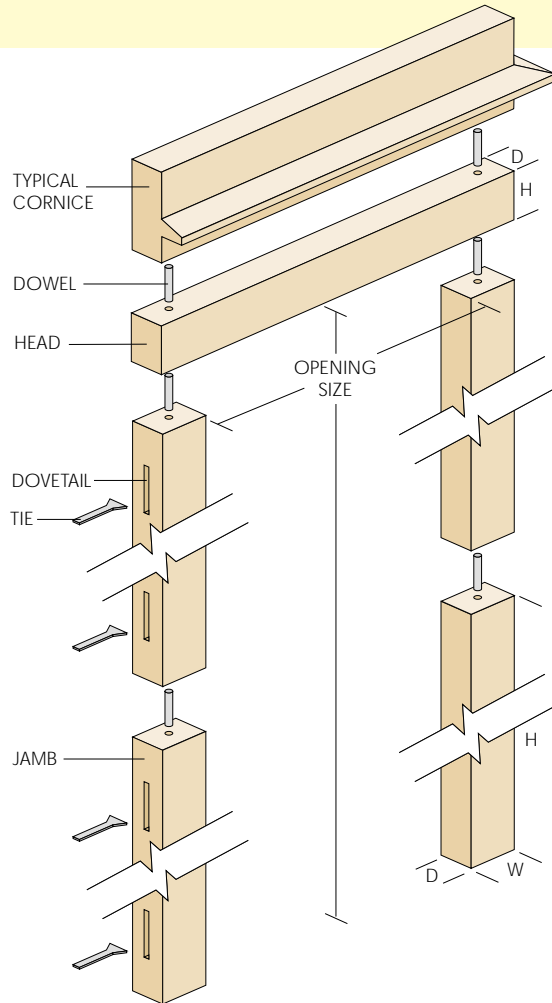
SURROUNDS DOOR, PORCH & BULLSEYE



DOOR AND PORCH SURROUNDS

Although we have standard designs, the variety of walling details do not allow PD Edenhall to offer an off-the-shelf surround for door and porches. We do however have a number of standard products that can be used in any configuration to create a number of surrounds. Design of surrounds is individual to each application and it is suggested that early discussions with our design team is initiated with these products.

Surrounds can be cast to suit 100mm masonry or full cavity width, contact your local Sales Office for clarification. All heads will require the addition of a supporting lintel over. All surrounds can be cast with bonded or continuous jambs.



NOTES:

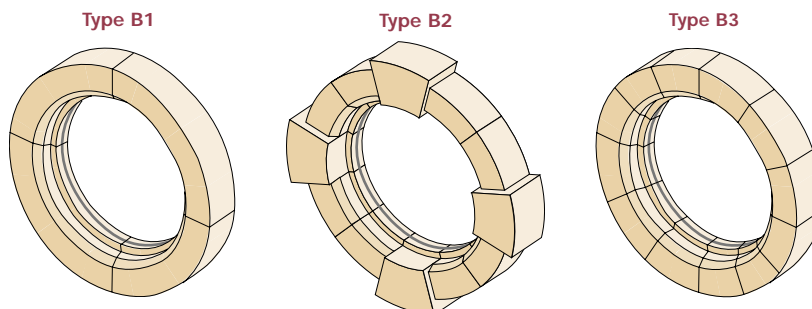
1. Stainless steel dowels are available to be inserted into site-drilled location holes
2. Mix for pointing (less cement) can be supplied for the number of surrounds only.
3. Dovetail slots are cast into jambs where they exceed 450mm.
4. Some surrounds incorporate a rebate for the fitting of the frame and others do not. We will forward workshop drawings for approval with all PD Edenhall surrounds before manufacturing commences
5. All door surrounds are self supporting and will require the addition of a supporting lintel over
6. Door surrounds can be produced in any of the profiles illustrated. Alternative designs utilising splayed and plain reveal blocks as jambs are also available



BULLSEYE WINDOW SURROUNDS

The surrounds shown are all for a standard timber or metal frame of 600mm diameter. The 'keystone' effect bullseye is supplied in twelve pieces, the others in four pieces. Due to the unlimited choice of frames now available we can produce a bespoke surround for any requirement.

Comprehensive details and dimension of bullseye surrounds are available on request.



NOTES:

1. Bullseye window surround (Type B2) can have either flush or projecting keystones (to be specified)