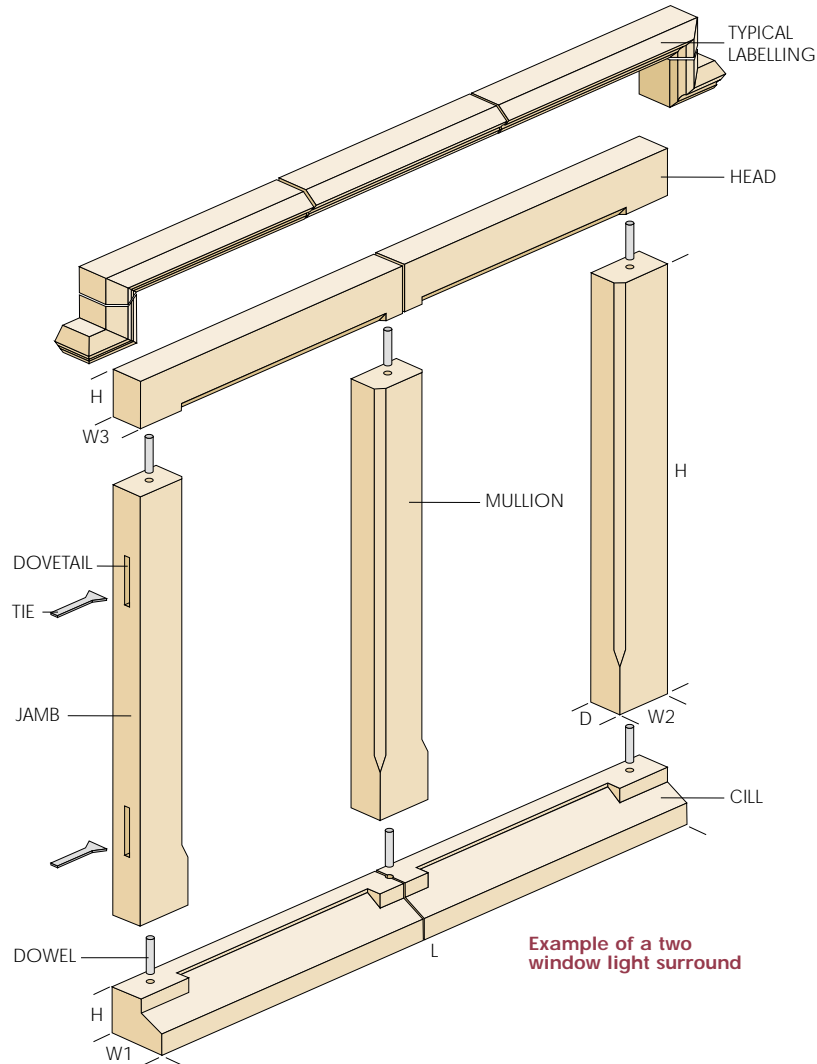


SURROUNDS WINDOW

WINDOW SURROUNDS

PD Edenhall offer various types of standard surround for traditional type timber, UPVC and metal frames, various diameter bullseye surrounds and through our bespoke service an unlimited number of non-standard window surrounds for all types of frames.

With any surround we ask that our Sales Office is contacted in order that we may assist and advise of a suitable design.

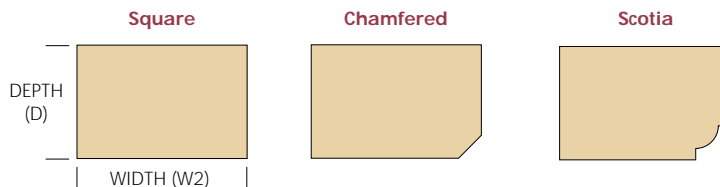


NOTES:

1. Stainless steel dowels are available to be inserted into site-drilled location holes
2. Mix for pointing (less cement) can be supplied for the number of surrounds only.
3. Dovetail slots are cast into jambs where they exceed 450mm.
4. Bay surrounds can be produced for any angle/frame combination
5. Some surrounds incorporate a rebate for the fitting of the frame and others do not. We will forward workshop drawings for approval with all PD Edenhall surrounds before manufacturing commences
6. All window surrounds are self supporting and will require the addition of a supporting lintel over
7. Cill profiles are detailed on page 6

Example of a two window light surround

Typical Jamb/Head/Mullion profiles



WINDOW SURROUNDS

Cill Type	Cill Profile (H x W1)	Jamb/Mullion Profile (D x W2)	Jamb/Mullion Height* (H)	Head Profile (H x W3)	Head* (L)
Gloucester	140 x 150	100 x 100/100 x 150	1500 max.	150 or 215 x 100	1500 max.
Folkestone	140 x 175	125 x 100/125 x 150	1500 max.	150 or 215 x 125	1500 max.
Newport	140 x 200	150 x 100/150 x 150	2100 max.	150, 215 or 290 x 150	2100 max.
Cheltenham	140 x 215	175 x 150	2400 max.	150, 215 or 290 x 175	2400 max.
Monmouth	140 x 250	200 x 150	2700 max.	150, 215 or 290 x 200	2700 max.

*Maximum height/length cast in one piece

