

QUOINS & ASHLAR WALLING



QUOINS

The tables below show dimensions of our standard quoins, however, a comprehensive range of quoins, plain and chamfered, is offered in any of our standard colours. For variations to the profiles shown contact your nearest Sales Office.

The popular CQ2 chamfered quoin in Bathstone is generally a stock item.

Angled plinth/squint blocks to the above profiles are also available.

ASHLAR

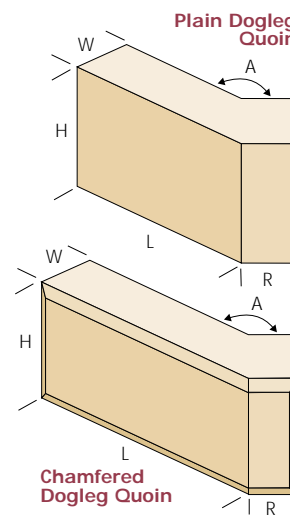
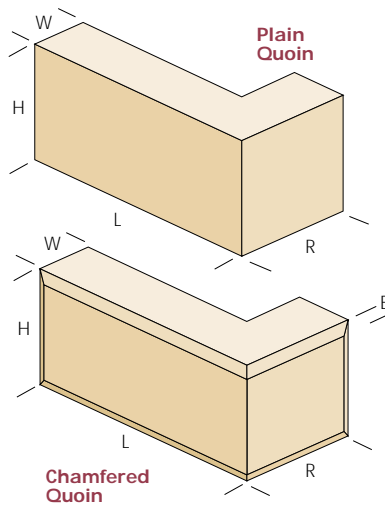
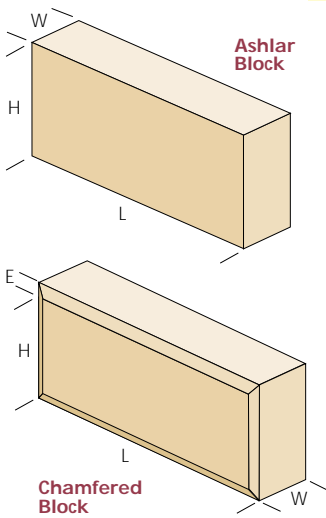
As major producers of ashlar walling, the variety of which is too numerous to list, PD Edenhall can offer a walling block to suit almost any application in any number of face and bed sizes including a full range of complementary special units.

Our ashlar blocks can also be cast with a chamfer to act as a simple plinth or with a recess to give a distinctive look to the build façade.

Curved ashlar blocks to radii are a speciality and such could be used rather than the unsightly curve created using segmented laid blocks

NOTES:

1. Consideration should be given to product weight
2. Suggest 327/215 (nominal) quoin with brickwork to assist half brick wall bonding patterns
3. Quoins can be cast in other coursing heights and other bed sizes upon request
4. Ashlar block is normally cast as a single mix. Half or third length/height units are available
5. Consideration should be given to squint bonding. To reduce handling weights, we would suggest 327/195 face for half bond ashlar work
6. Ashlar walling blocks are manufactured to the 'Specification for Reconstructed Stone Masonry Products'
7. Overall dimensions of chamfered units include chamfers



ASHLAR WALLING

Ref	Overall Length (L)	Overall Return (R)	Height (H)	Width (W)	Weight (kg)
AW1	440	-	215	100	20
AW2	440	-	215	125	25
AW3	440	-	215	150	30
AW4	440	-	290	100	26
AW5	440	-	290	125	32
AW6	440	-	290	150	38

CHAMFERED ASHLAR WALLING N.B. Chamfer is 18mm

CAW1	440	-	215	100 + 18	24
CAW2	440	-	215	125 + 18	29
CAW3	440	-	215	150 + 18	34
CAW4	440	-	290	100 + 18	30
CAW5	440	-	290	125 + 18	36
CAW6	440	-	290	150 + 18	42

PLAIN QUOINS N.B. Also available in 125mm widths

PQ1	440	215	215	100	25
PQ2	327	215	215	100	20
PQ3	440	215	290	100	34

CHAMFERED QUOINS N.B. Chamfer (E) is 18mm. Also available in 125mm bed width

CQ1	458	233	215	100 + 18	30
CQ2	345	233	215	100 + 18	25
CQ3	458	233	290	100 + 18	39

DOGLEG QUOINS N.B. Available with 'A' angle @ 120°, 135° or 150°

SQ1	325	95	215	100	19
SQ2	335	105	215	125	19
SQ3	346	116	215	150	19

DOGLEG CHAMFERED QUOINS N.B. Chamfer 18mm. Available with 'A' angle at 120°, 135° or 150°

SQU1	440	95	215	100 + 18	23
SQU2	440	105	215	125 + 18	23
SQU3	440	110	215	150 + 18	23

NOTE:

Typical chamfer E=18mm/18mm
 (∴ Overall width = Bed (W) + 18mm)